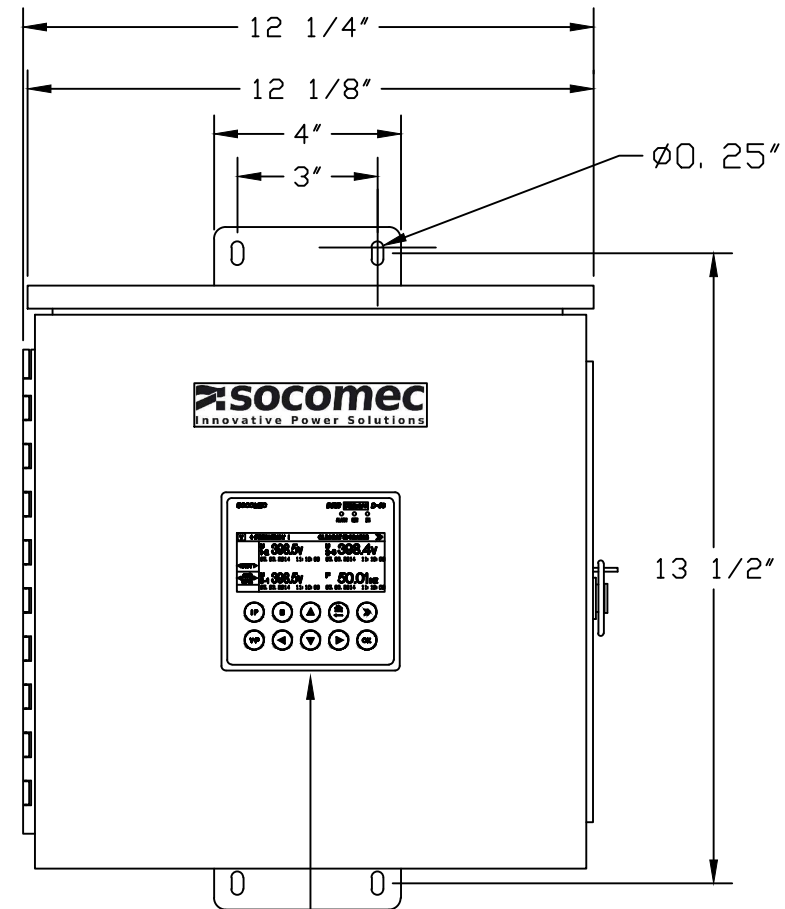
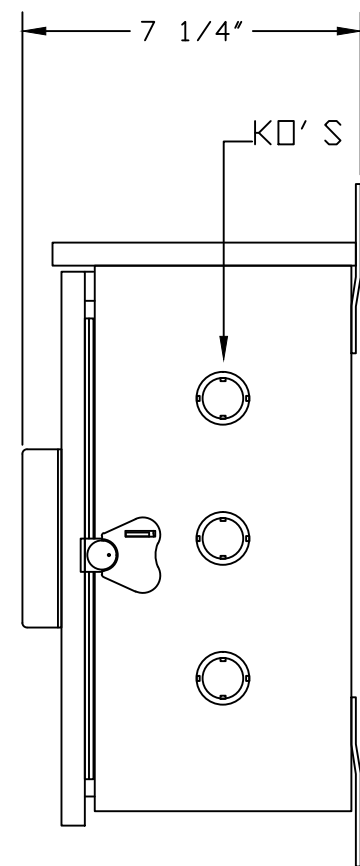


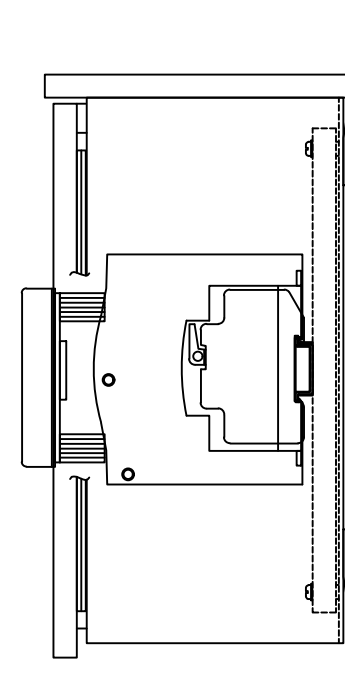
LEFT SIDE VIEW



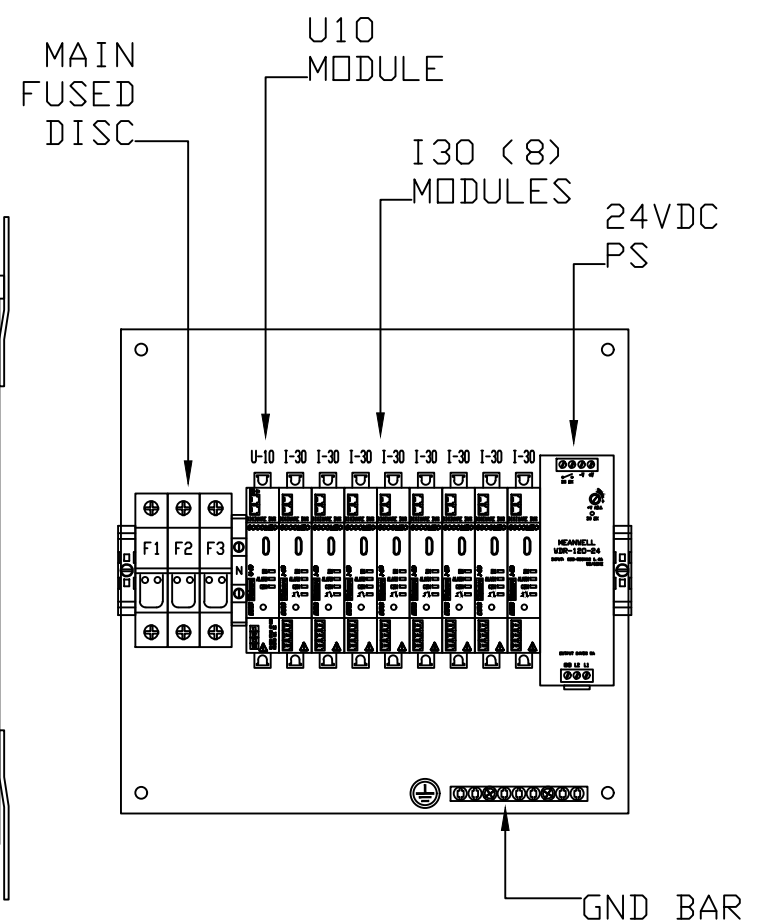
FRONT VIEW



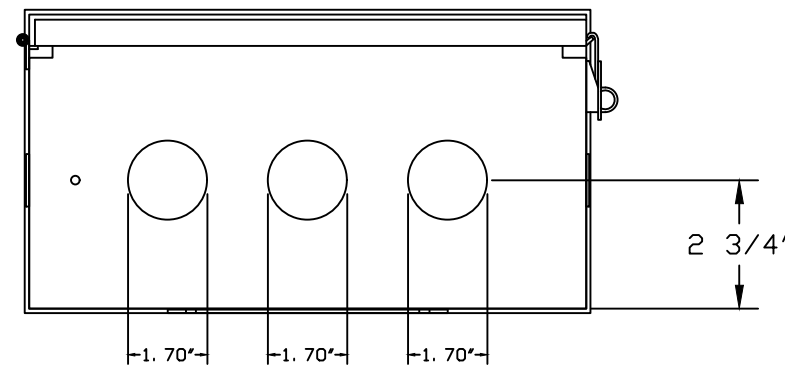
RIGHT SIDE VIEW



RIGHT SIDE VIEW
CUTAWAY



SUBPLATE LAYOUT



BOTTOM VIEW

NOTES:
 1- TYPE 3R ENCLOSURE.
 2- 14GA STEEL CONSTRUCTION.
 3- POWDER COATED, COLOR ANSI 49 GREY.



PART NUMBER:	DBB08D50
DESCRIPTION:	U10, D50 DISPLAY, 8/I-30 MODULES & 24VDC PS
PROJECT:	SOCOMECE METERING PANELS - DIGIBOX-8 STYLE
CUSTOMER:	XXXX
ADDRESS:	XXXX
ADDRESS:	XXXX

DRAWING:	SOCOMECE METERING PANELS - DIGIBOX-8 STYLE - # DBB08D50
SCALE:	NONE
DATE:	10-5-2017 (REV-0)
DRAWN BY:	LPC
CHECKED BY:	APN
DRAWING #:	SOCOMECE METERING PANELS - DIGIBOX-8 STYLE - # DBB08D50 - M1

REVISIONS	
REV-6	
REV-5	
REV-4	
REV-3	
REV-2	
REV-1	